

AE-VC154T-IT(3.1)



- Adapts progressive scan CMOS
- Up to 720P resolution
- Support automatic electronic shutter function, adapt to different monitoring scenarios
- Support automatic electronic gain function and brightness adaption
- Adapts shock-proof design

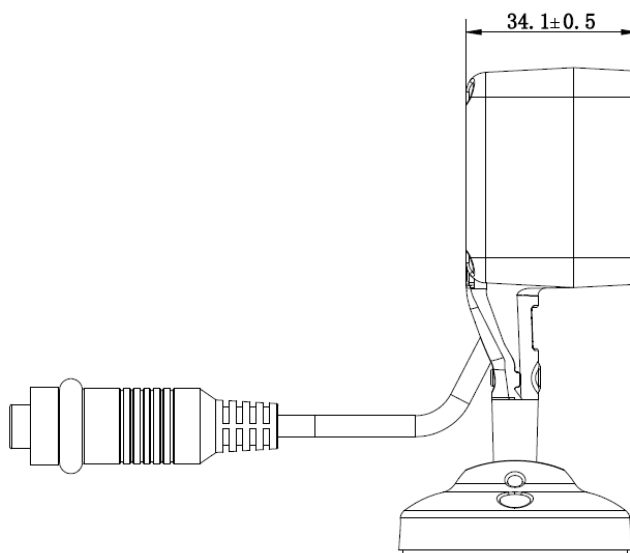
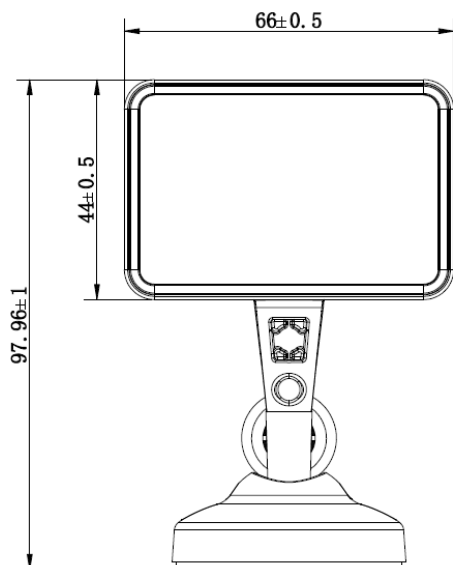
▪ Specification

Selection Parameter	
Sensor	Progressive Scan CMOS
Shutter Speed	1/25 s to 1/30,000 s
Min. Illumination	0 Lux with IR
Lens Type	6 mm
Length of Outgoing Line	2.5m
Lens Mount	M12
FOV	Horizontal: 52° vertical: 28°, diagonal: 60.5°
Angle Adjustment	With bracket: Pan: 0°~50° Tilt: 0°~20° Rotate: 0°~ 360°
Day & Night Switch mode	IR: Normally Open; Picture: Normally B&W
Frame Rate	720p@30 fps
Synchronization Mode	Internal synchronization
SNR	42 dB
Protection Level	NA
Case Type	square
Resolution	1280×720
Interface	
Video Output	1-way coaxial HD, conforming to HDTV1
Audio Output	1-way ,aviation head
Interface Type	M12 aviation head
Interface Style	Aviation plug B:1: Video, 2: Audio, 3: Power, 4: Ground BM 4F plug: 1:Power ,2: Ground, 3: Video, 4: Audio
General	
Startup and Operating Conditions	-40 °C to 75 °C (-40 °F to 167 °F), 90%
Power Supply	9 to 16 V DC
IR Distance	2m
Power Consumption	Max. 2.5 W
Camera Dimension	66 mm x 45 mm x 23.5 mm(without bracket)

▪ Available Model

AE-VC154T-IT(6mm)(O-STD)(3.1)(NEW)

▪ Dimension



Unit:mm

Headquarters

No.555 Qianmo Road, Binjiang District,
Hangzhou 310051, China
T +86-571-8807-5998
www.hikvision.com



Follow us on social media to get the latest product and solution information.

